

Clippard

DR-2 Precision Regulators

Excellent Accuracy & Repeatability

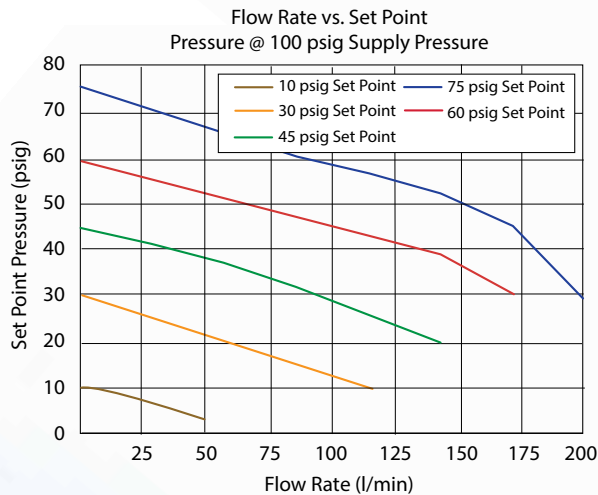


- Designed for applications where zero air consumption is required (non-bleed)
- Excellent corrosion resistance
- Relieving and non-relieving designs
- Manifold mount option
- ISO 9001

When Clippard invented miniature regulators in 1962, the MAR Series became very popular as a simple, robust, and cost-effective regulator in a small package with exceptionally long life.

As regulator applications continue to increase, Clippard is meeting the demand with the newest addition to the reputable regulator line. The new DR-2 Series provides greater accuracy and repeatability while maintaining the same flow and performance characteristics as the MAR regulators in a durable, sleek package.

These precision regulators are offered in either relieving or non-relieving versions. The relieving design maintains a constant pressure output even when downstream conditions change, while non-relieving regulators do not automatically compensate for changes in downstream flow or pressure. There is no vent to atmosphere, as in a relieving type regulator, and the output pressure can increase due to a downstream event. Non-relieving versions can also accommodate compatible liquid applications.



The DR-2's performance may vary in applications where dead end, no flow is required.

Specifications

Medium	Air, Water* or Oil*
Input Pressure	300 psig max.
Repeatability	± 0.1 psi typical (± 0.15 psi max.)
Set Point Sensitivity	0.1 psi
Set Point Stability	0.1 psi
Temperature Range	32 to 230°F
Mounting	5/16-24 thread. Nuts and lockwashers furnished
Material	Electroless nickel plated brass body, FKM seals, PFPE lube, stainless steel adjustment screw and spring
Adjustment	An extended 0.156" shaft accepts an adjustment knob, or furnished with an exposed screwdriver slot with micro-adjustment (56 pitch thread).

* Non-Relieving models only

ORDER INFORMATION

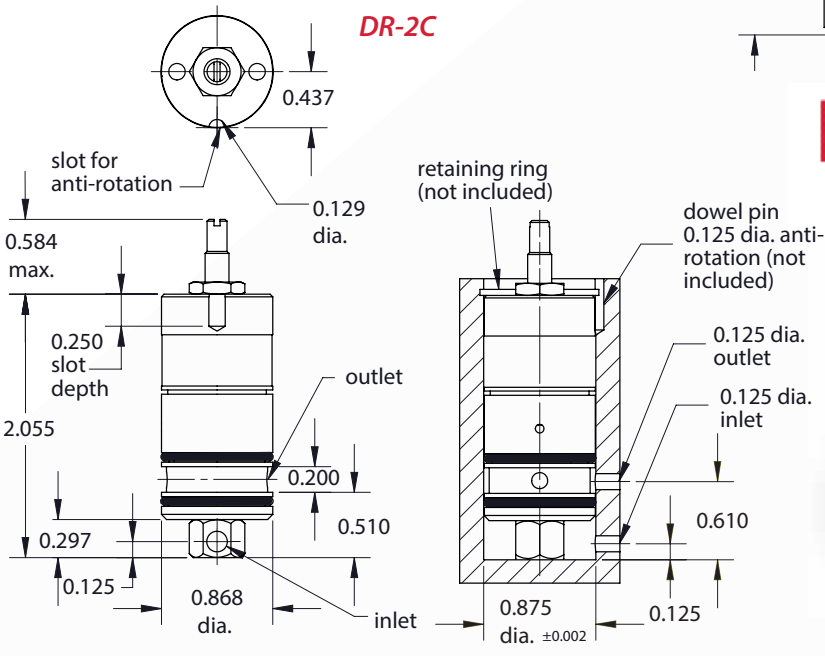
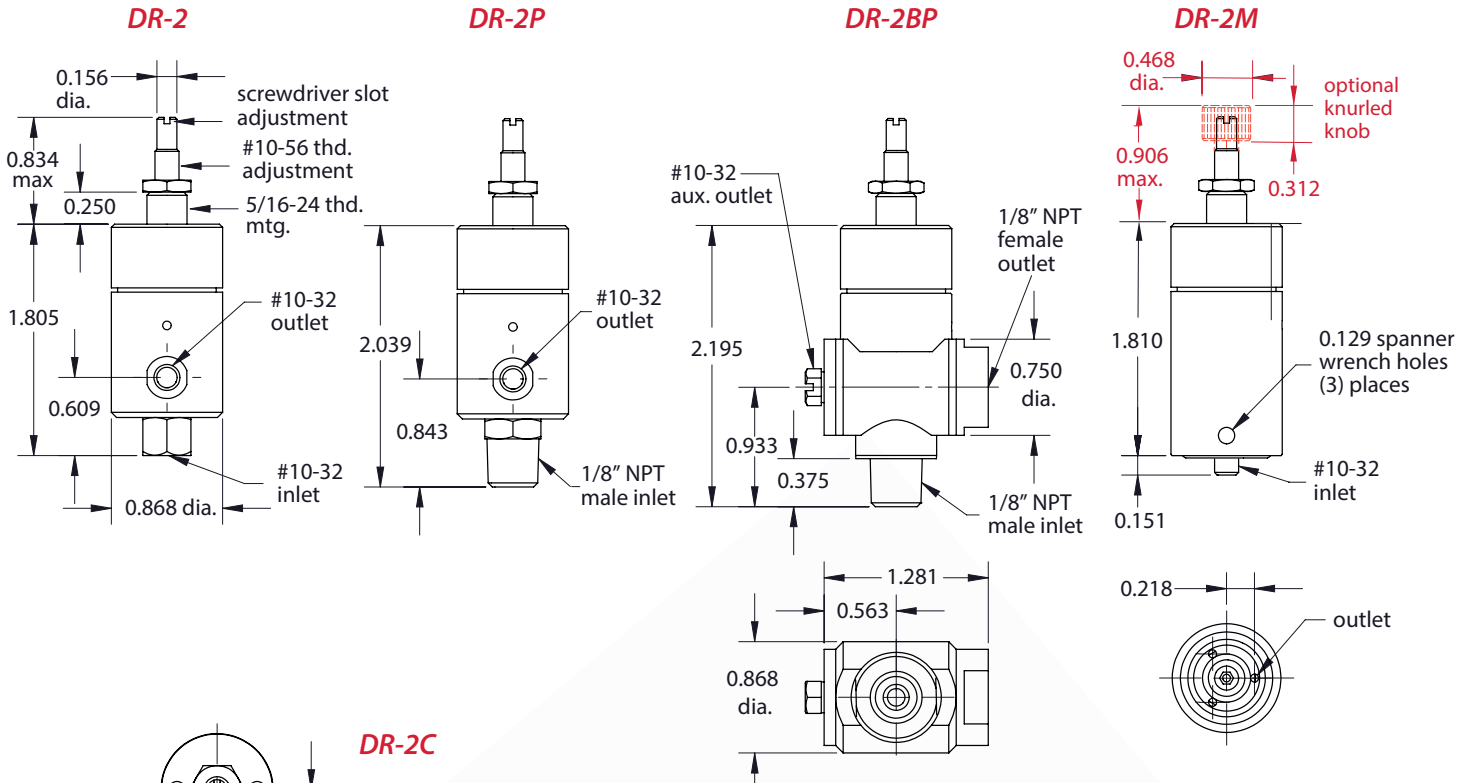
Inlet	Outlet	Base Part No.
#10-32 Female	#10-32 Female	DR-2
1/8" NPT Male	#10-32 Female	DR-2P
#10-32 Male	Manifold	DR-2M
Cartridge	Cartridge	DR-2C
1/8" NPT Male	1/8" NPT Female	DR-2BP

Adjustment	Type	Max. Pressure Range
(blank) Slot	(blank) Relieving	(blank) 2 - 100 psig
K Knob	NR Non-Relieving	-1 0.5 - 10 psig
		-5 1 - 50 psig

Example Part No.: DR-2BPKNR-5

Special configurations, preset options and metric versions available. Consult Clippard.





CUSTOMer
solutions



Special Body Configuration
Customer Special Cartridge Configuration

Custom Regulators

Special Configurations & Assemblies

If you need a product that fits your application perfectly, Clippard has the capability to design or modify one of its products to suit your exact needs. We understand that a standard catalog product may be close but not be exactly what you need. We have the ability and capacity to give you what you want. Our Engineering Department has designed tens of thousands of special variations, modifications or completely special regulators and other products.

Call today with your unique application!

877-245-6247 | clippard.com

CLIPPARD INSTRUMENT LABORATORY, INC. • ISO 9001 • TDS 1.1.20
For warranty and disclaimer information, visit clippard.com/warranty